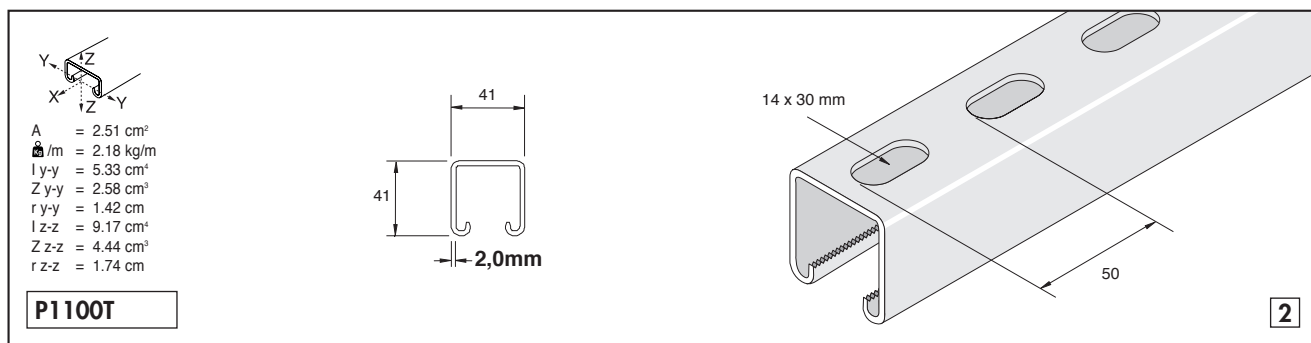


UNISTRUT P1100

41
mm

UNISTRUT

L(mm)	F		F		f=1/200L F (kN)	f=1/360L F (kN)
	Fmax(kN)	fmax(mm)	Fmax(kN)	fmax(mm)		
250	6.605	0.19	13.210	0.24	-	-
500	3.302	0.77	6.604	0.96	-	-
750	2.202	1.73	4.404	2.17	-	-
1000	1.651	3.07	3.302	3.86	-	1.492
1250	1.321	4.80	2.642	6.10	-	0.955
1500	1.101	6.92	2.202	8.80	-	0.663
1750	0.944	9.41	1.888	12.00	0.877	0.487
2000	0.826	12.29	1.652	15.73	0.672	0.373
2250	0.734	15.56	1.468	20.00	0.531	0.295
2500	0.660	19.21	1.320	24.90	0.430	0.239
2750	0.600	23.24	1.200	30.30	0.355	0.197
3000	0.550	27.66	1.100	36.40	0.298	0.166

Art.Nr.	P	L (m)
P1111223	2	3.00
P1111226	2	6.00